



## FT SERIES

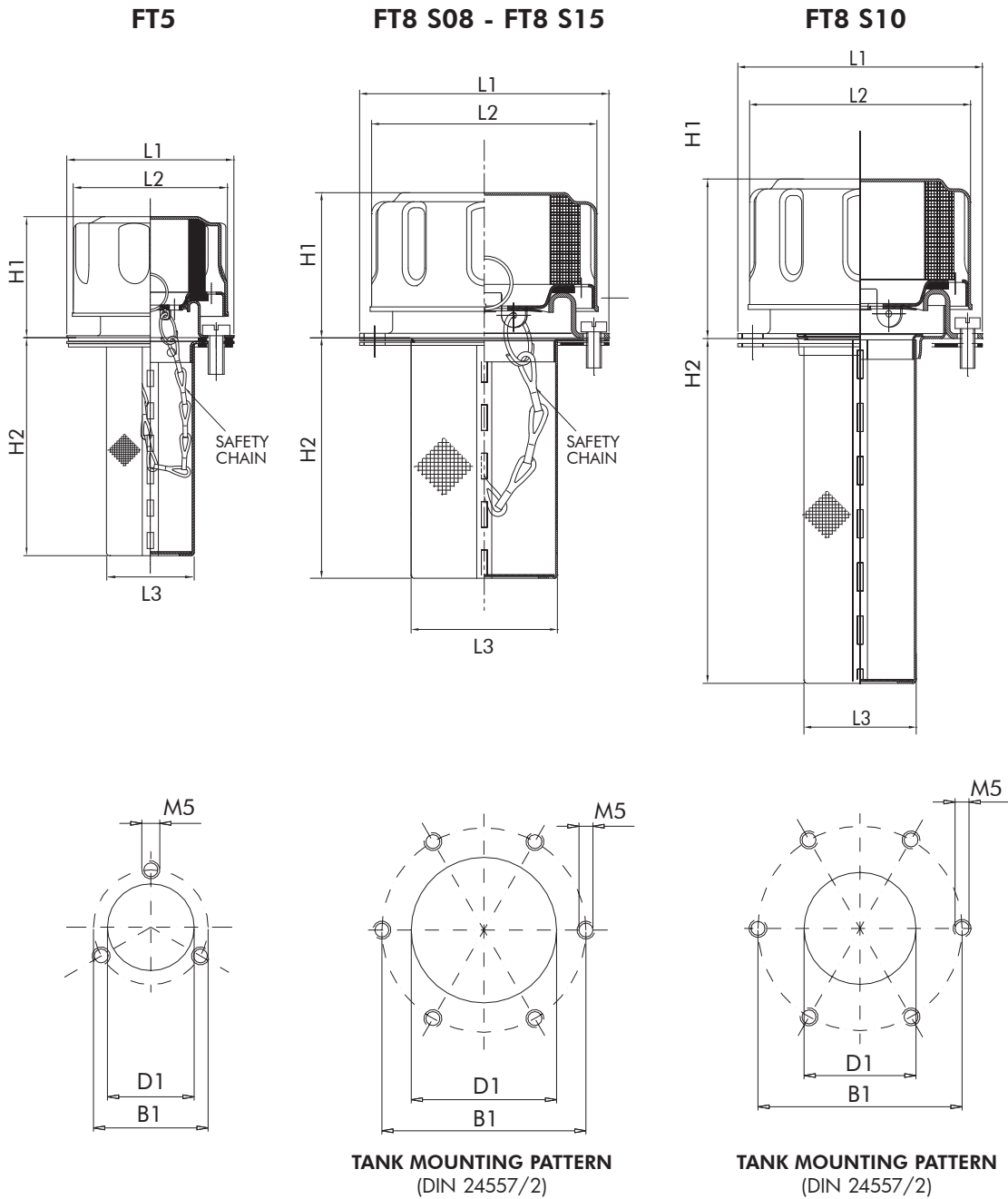
Filler breathers with flange or welding mounting

### TECHNICAL INFORMATION

MATERIALS:	Cover: chrome plated steel Basket: zinc plated steel Flange: zinc plated steel Gaskets: NBR
FILTER MEDIA:	Polyurethane (air filtration 3 $\mu$ m e10 $\mu$ m)
PRESSURIZATION VALVE:	0,35 or 0,75 bar (for FT8 only)

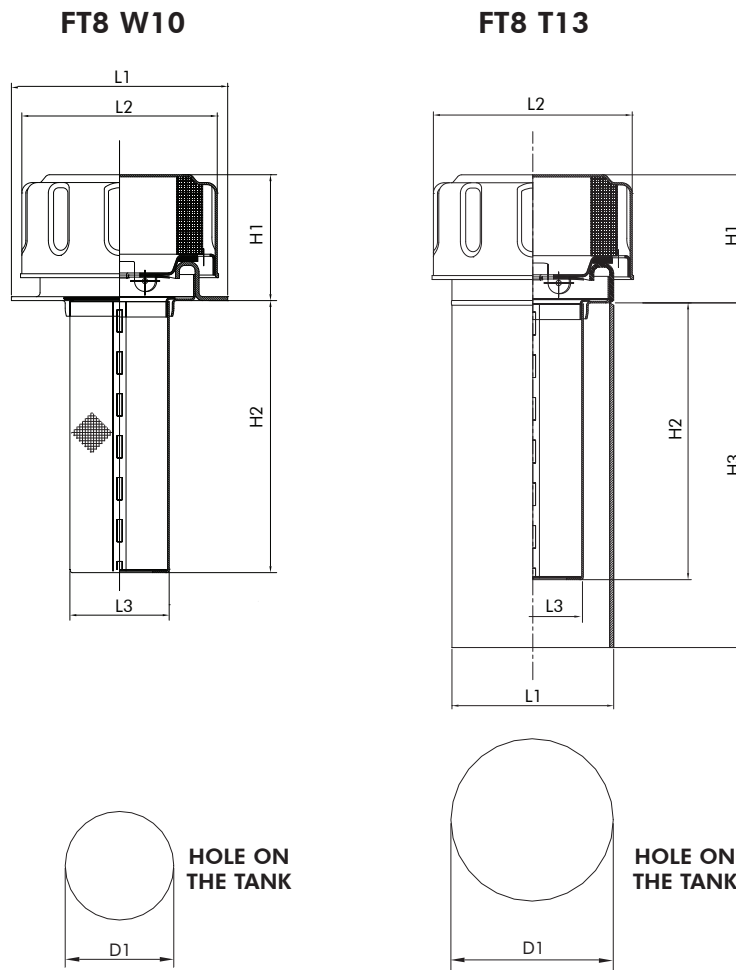
### ORDERING INFORMATION

	1.	2.	3.	4.	5.	6.	7.
	FT	8	F03	B	S08	0	L
1. SERIES	FT						
2. SIZE	5	cover Ø48					
	8	cover Ø75					
3. FILTER MEDIA	F03	polyurethane (air filtration 3 $\mu$ m)					
	F10	polyurethane (air filtration 10 $\mu$ m)					
4. GASKETS	B	NBR					
5. MOUNTING TYPE	---	FT5 only					
	S08	flange, basket h = 80 mm					
	S15	flange, basket h = 150 mm					
	S10	flange, removable basket					
	W10	welding flange					
	T13	with antisplash tube					
6. PRESSURIZATION VALVE	0	no valve					
	1	0,35 bar					FT8 ONLY
	2	0,75 bar					FT8 ONLY
7. PADLOCK HOLDER	0	without padlock holder					
	L	with padlock holder					FT8 ONLY

**OVERALL DIMENSIONS**

**NOMINAL SIZE**

CODE	B1	D1	H1	H2	L1	L2	L3	AIR FLOW RATE $\text{Nm}^3/\text{min}$ Dp 0,015 barg	
								F03	F10
FT5	41	31	37	67	52	48	27,5	200	250
FT8 S8				80					
FT8 S15	71÷73	52	50	150	83	75	50	450	550
FT8 S10		40		105			38		

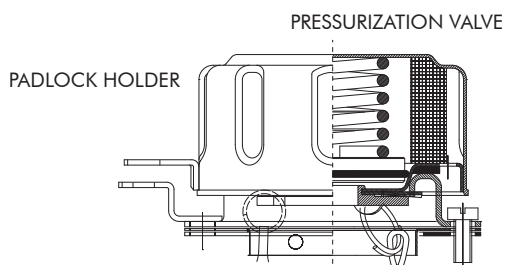
**OVERALL DIMENSIONS**



**NOMINAL SIZE**

CODE	D1	H1	H2	H3	L1	L2	L3	AIR FLOW RATE NI/min Dp 0,015 barg	
								F03	F10
FT8 W10	40	50	105	---	83	75	38	200	250
FT8 T13	62			130	60			450	550

**OPTIONS**



On request, FT7 and FT8 can be supplied with some option:

- PRESSURIZATION VALVE
- PADLOCK HOLDER (FT8 only)



## FT6 & FT7 SERIES

Air breather filters

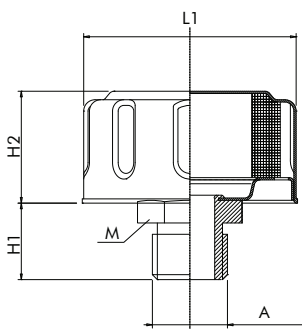
### TECHNICAL INFORMATION

MATERIALS:	Cover: chrome plated steel Threaded connection: zinc plated steel
FILTER MEDIA:	Polyurethane (air filtration 3 $\mu\text{m}$ and 10 $\mu\text{m}$ )
PRESSURIZATION VALVE:	0,35 or 0,75 bar (for FT7 only)

### ORDERING INFORMATION

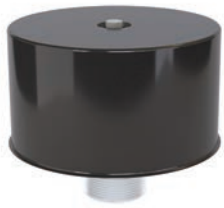
	1.	2.	3.	4.	5.
	FT	7	F03	B4	1
1. SERIES	FT				
2. SIZE	6	cover $\text{Ø}48$			
	7	cover $\text{Ø}75$			
3. CONNECTION	B1	1/4" BSP		FT6	
	B2	3/8" BSP			
	B3	1/2" BSP		FT6 - FT7	
	B4	3/4" BSP		FT7	
4. PRESSURIZATION VALVE	0	no valve			
	1	0,35 bar			FT7 ONLY
	2	0,75 bar			

### OVERALL DIMENSIONS



### NOMINAL SIZE

CODE	A	H1	H2	H3	H4	AIR FLOW RATE NI/min Dp 0,015 barg	
FT6...B1	1/4" BSP	27	31	48	22	250	250
FT6...B2	3/8" BSP						
FT6...B3	1/2" BSP						
FT7...B3	1/2" BSP	35,5	75	27	32	450	550
FT7...B4	3/4" BSP						



**FB1 SERIES**

Air breather filters, with replaceable filter element

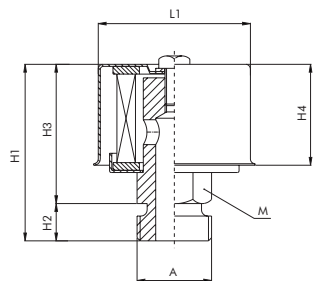
**TECHNICAL INFORMATION**

MATERIALS:	Cover: painted steel
FILTER MEDIA:	Cellulose (air filtration 3 μm)

**ORDERING INFORMATION**

	1.	2.	3.	4.
SPARE ELEMENT:	<b>FB1</b>	<b>10</b>	<b>B2</b>	<b>C10</b>
	<b>B1</b>	<b>10</b>	-	<b>C10</b>
1. SERIES	FB1			
2. SIZE	10	cover Ø 48		
	20	cover Ø 67		
	30	cover Ø 108		
3. CONNECTION	B1	1/4" BSP	size 10	
	B2	3/8" BSP		
	B3	1/2" BSP	size 20	
	B4	3/4" BSP		
	B5	1" BSP	size 30	
4. FILTER MEDIA	C10	cellulose (air filtration 3 μm)		

**OVERALL DIMENSIONS**



**NOMINAL SIZE**

CODE	A	H1	H2	H3	H4	L1	M	AIR FLOW RATE Nl/min Dp 0,015 barg
FB110	1/4" - 3/8" BSP	54	9	45	32	48	14/19	250
FB120	1/2" - 3/4" BSP	69	10	59	50	67	22	350
FB130	1" BSP	91	15	76	61	108	34	800



## FB2 SERIES

Air filters and filler breathers, with replaceable filter element

### TECHNICAL INFORMATION

MATERIALS:	Housing:	polyamide PA
	Basket:	polyamide PA
	Gaskets:	NBR
FILTER MEDIA:	Cellulose (air filtration 3 $\mu\text{m}$ )	
	Glassfiber (air filtration 1 $\mu\text{m}$ )	

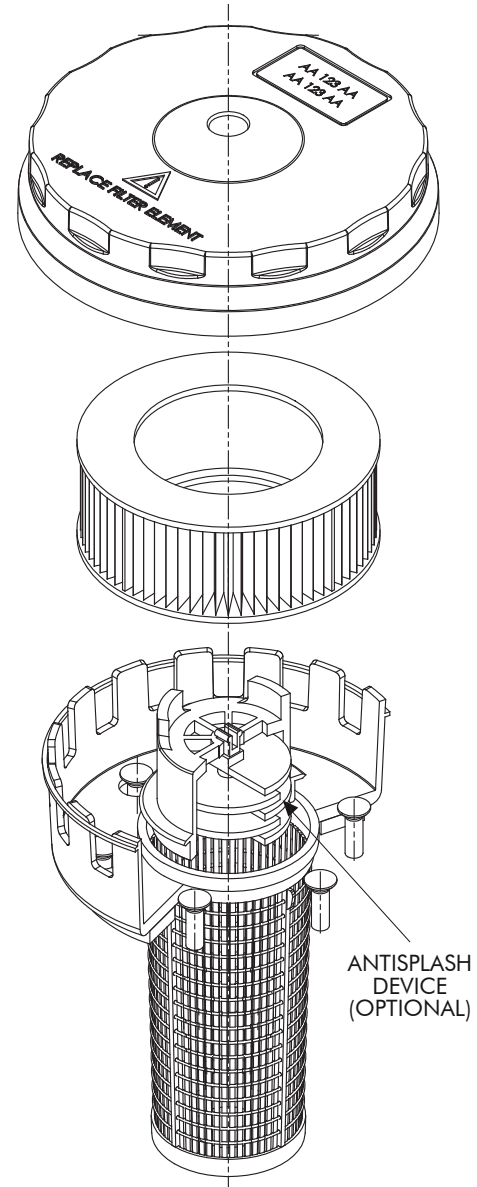
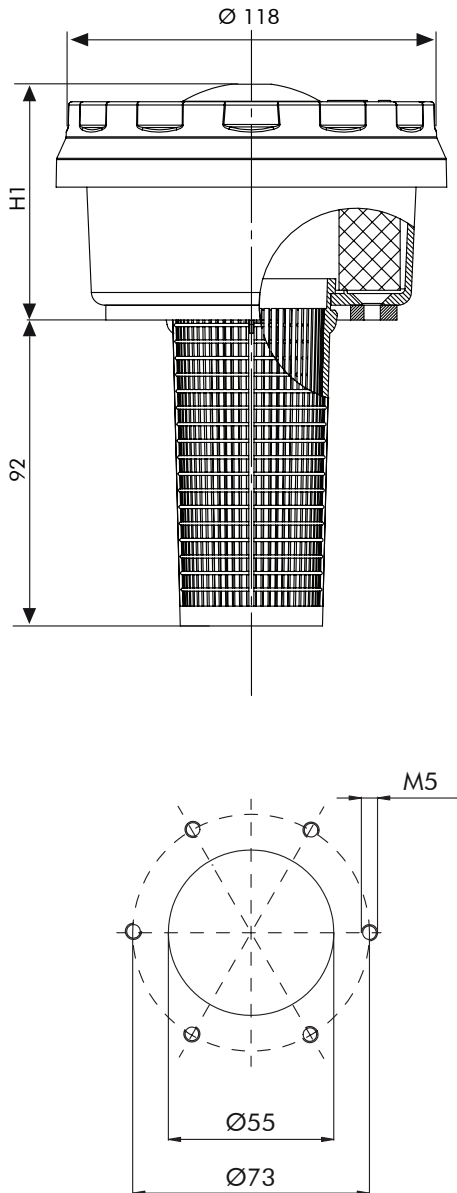
### ORDERING INFORMATION

	1.	2.	3.	4.	5.
	<b>FB2</b>	<b>50</b>	<b>D2</b>	<b>C10</b>	<b>000</b>
SPARE ELEMENT:	<b>B2</b>	<b>50</b>	-	<b>C10</b>	-
1. SERIES	FB2				
2. SIZE	50	length 1			
	51	length 2			
3. FILTER MEDIA	000	without element			
	C10	cellulose (air filtration 3 $\mu\text{m}$ )			
	G10	glassfiber (air filtration 1 $\mu\text{m}$ )			
4. OPTIONS	000	without options			

### ACCESSORIES

The accessories must be ordered separately

SG 505	antisplash device for size 50
SG 515	antisplash device for size 51

**OVERALL DIMENSIONS**

**NOMINAL SIZE**

CODE	H1	AIR FLOW RATE NI/min Dp 0,015 barg	
		C10	G10
FB250	46	1200	1400
FB251	74	1600	1800

When the oil tank can be subjected to strong shocks or oscillations, the optional SG device prevents oil splashes from escaping and wetting the filter element, thanks to its labyrinth system.



### FA3 SERIES

Flange mounted with spin-on element

## TECHNICAL INFORMATION

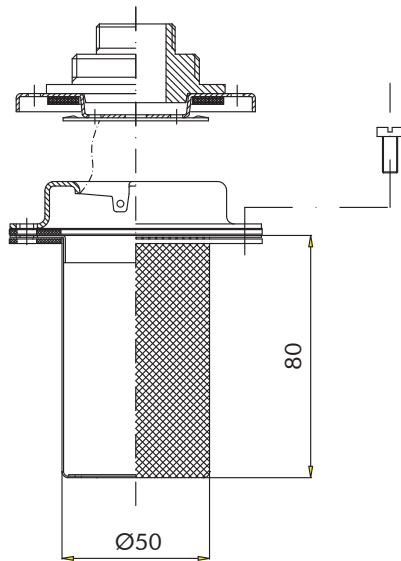
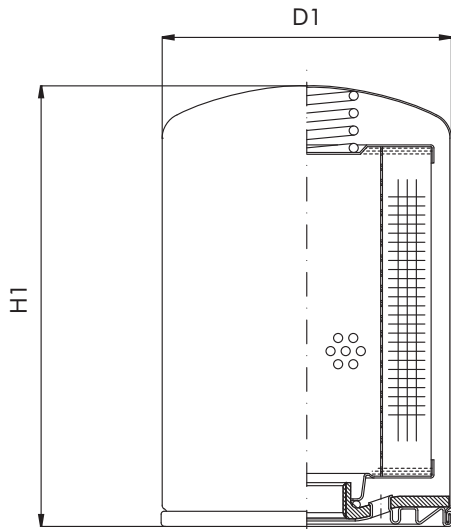
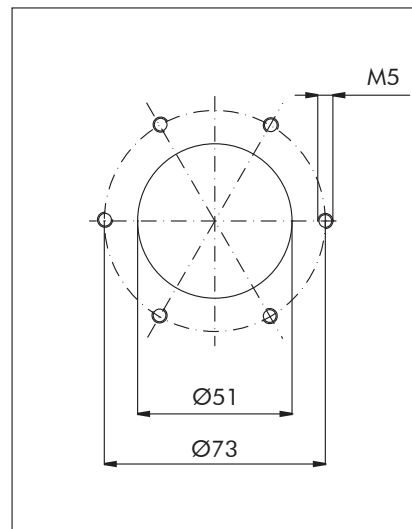
**MATERIALS:** Canister: painted steel  
Flange and basket: zinc plated steel  
Gaskets: NBR

**FILTER MEDIA:** Cellulose (air filtration 3  $\mu\text{m}$ )  
Glassfiber (air filtration 1  $\mu\text{m}$ )

## ORDERING INFORMATION

	1.	2.	3.
SPARE ELEMENT:	<b>FA3</b>	<b>20</b>	<b>C03</b>
	<b>A3</b>	<b>20</b>	<b>C03</b>
1. SERIES	FA3		
2. SIZE	WE	base assembly, without spin-on	
	10-11		
	20-21		
3. FILTER MEDIA	---	for WE only	
	C03	cellulose (air filtr. 3 $\mu\text{m}$ )	
	G01	glassfiber (air filtr. 1 $\mu\text{m}$ )	



**OVERALL DIMENSIONS**

**TANK MOUNTING  
PATTERN  
(DIN 24557/2)**

**NOMINAL SIZE**

CODE	D1	H1	AIR FLOW RATE NI/min Dp 0,015 barg		SPIN-ON ELEMENT
			C03	G01	
FA310	96	145	550	530	A310
FA311		213			A311
FA320	129	180	1415	1330	A320
FA321		228			A321

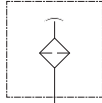
## USER INFORMATION

---

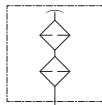
The air breather filters are integral part of the filtration within the hydraulic system, as they retain the environment contamination that could enter into the reservoir with the air sucked due to the oil level fluctuations during the system operation.

Our wide range of air filter and filler breathers offers the suitable solution to various requirements.

HYDRAULIC SYMBOL:  
**FB1 / FT6 / FT7**



HYDRAULIC SYMBOL:  
**FT5 / FT8 / FB2 / FA3**



OPERATING TEMPERATURE RANGE: -25° + 100°C (-13°F +212°F)  
**FT / FB1 / FA3 / FB2**

FLUID COMPATIBILITY: according to ISO 2943 for fluids  
**FT / FB1 / FA3** HL, HM, HV, HFD-U: Full

HEES, HEPG, HEPR, HETG, HFA, HFB, HFC, HFD-R, HFD-S, HFD-T:  
Contact Filtrec Customer Service

FLUID COMPATIBILITY: according to ISO 2943 for fluids  
**FB2** HL, HM, HV, HFD-U, HEES, HEPG, HEPR, HETG, HFA, HFB, HFC, HFD-R, HFD-S, HFD-T



